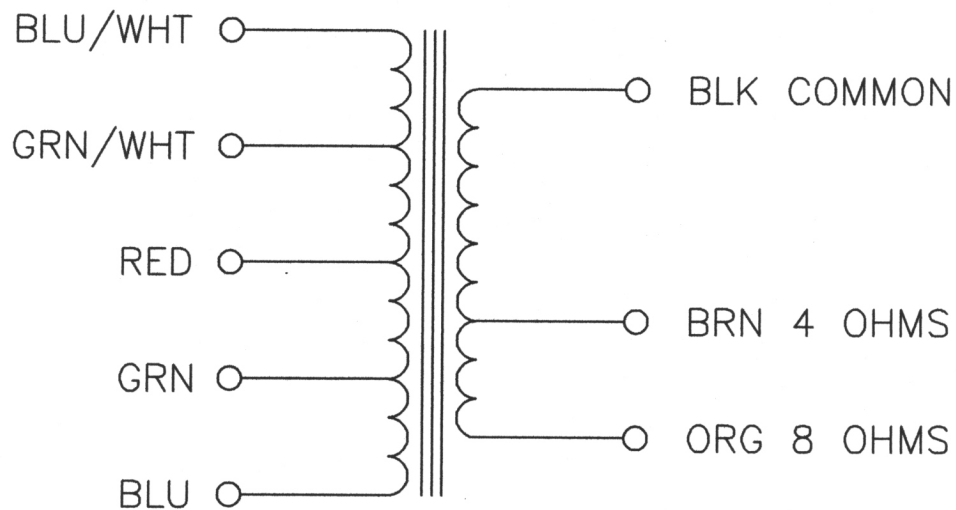
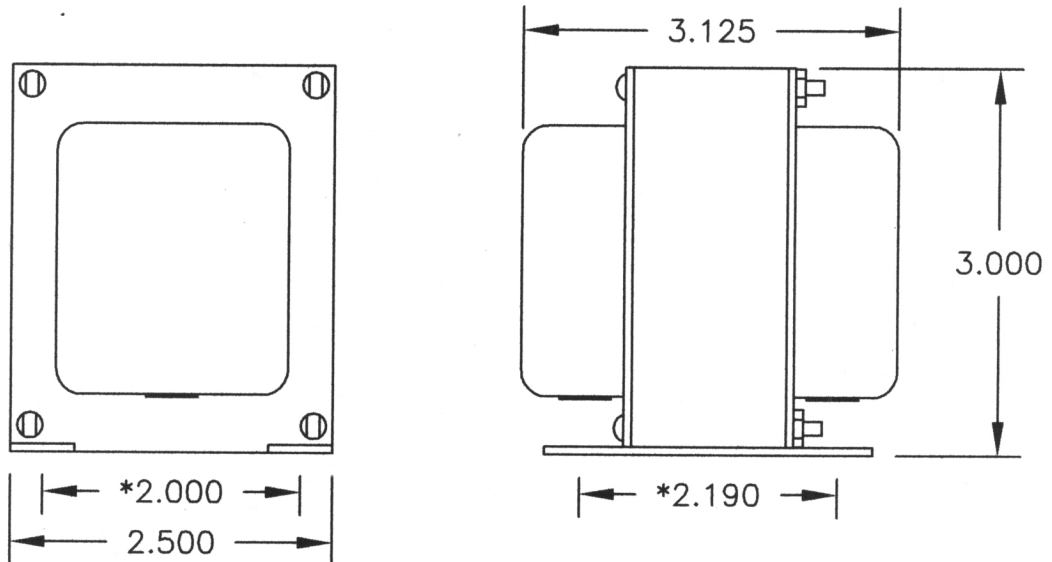


# DYNAKIT Z-565 OUTPUT TRANSFORMER



17.5 WATTS  
8000 OHMS CT

- ALL LEADS 12' LT.
- MOUNTING HOLES (SLOT):  $\frac{3}{16} \times \frac{5}{16}$
- \* MOUNTING HOLE CENTERS