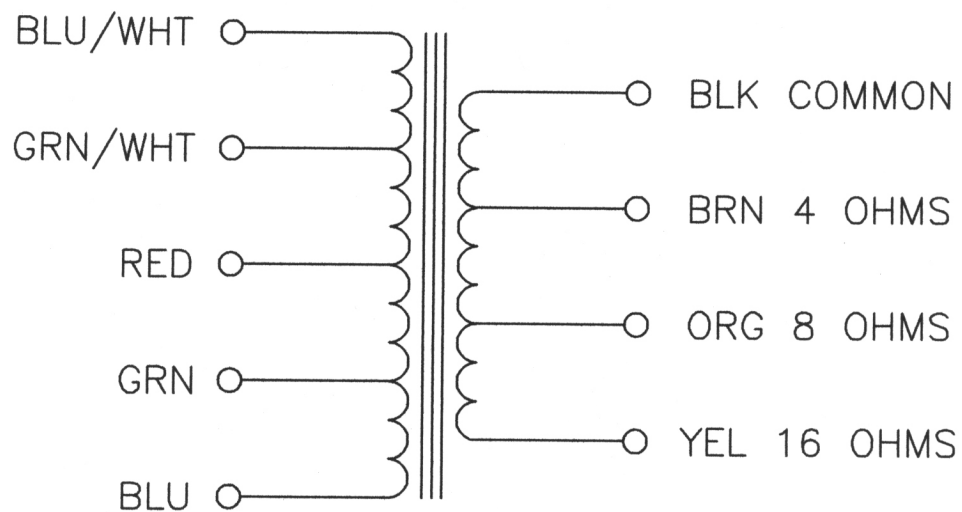
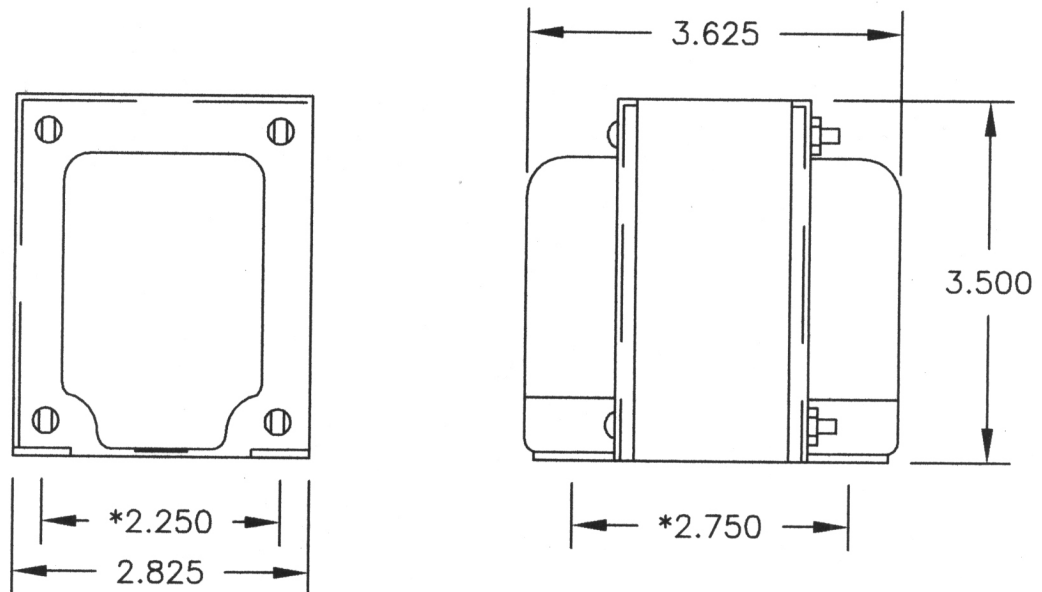


# DYNAKIT A-470 OUTPUT TRANSFORMER



35 WATTS  
4300 OHMS CT

- ALL LEADS 12' LT.
- MOUNTING HOLES (SLOTS):  $\frac{1}{8} \times \frac{1}{8}$
- \* MOUNTING HOLE CENTERS