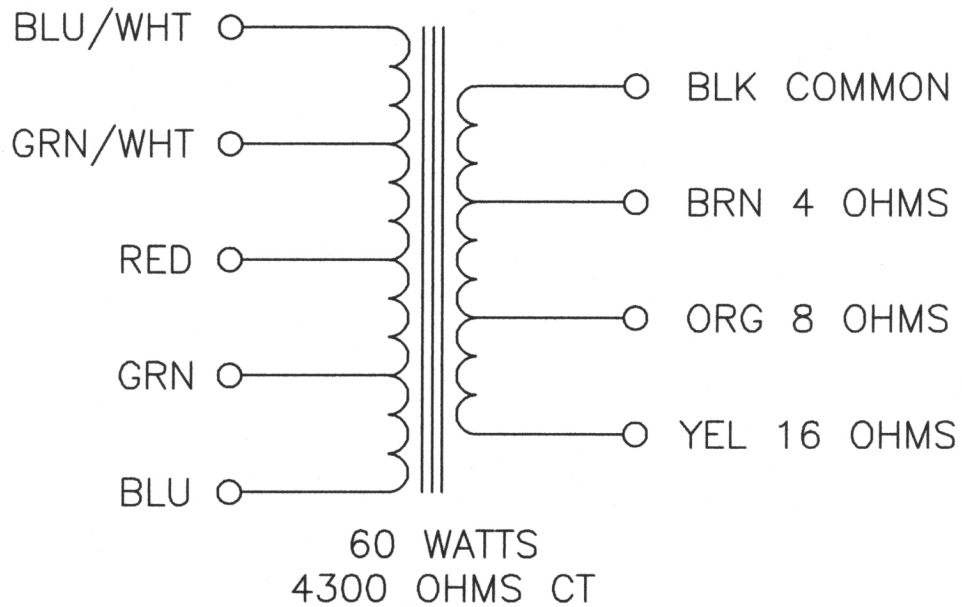
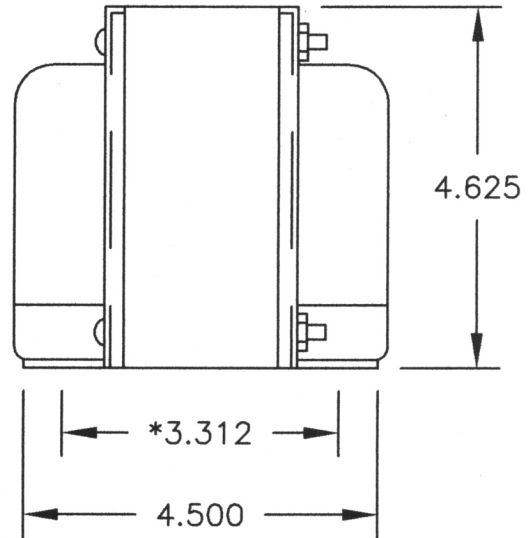
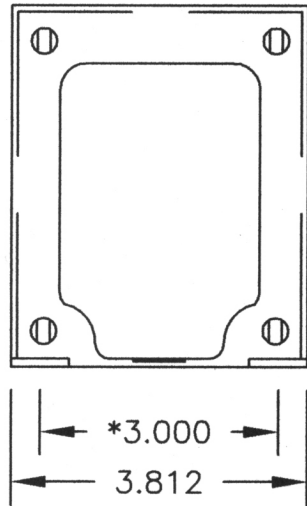


DYNAKIT A-431 OUTPUT TRANSFORMER



- ALL LEADS 10" LT.
- MOUNTING HOLES (SLOTS): $\frac{7}{32} \times \frac{13}{32}$
- * MOUNTING HOLE CENTERS